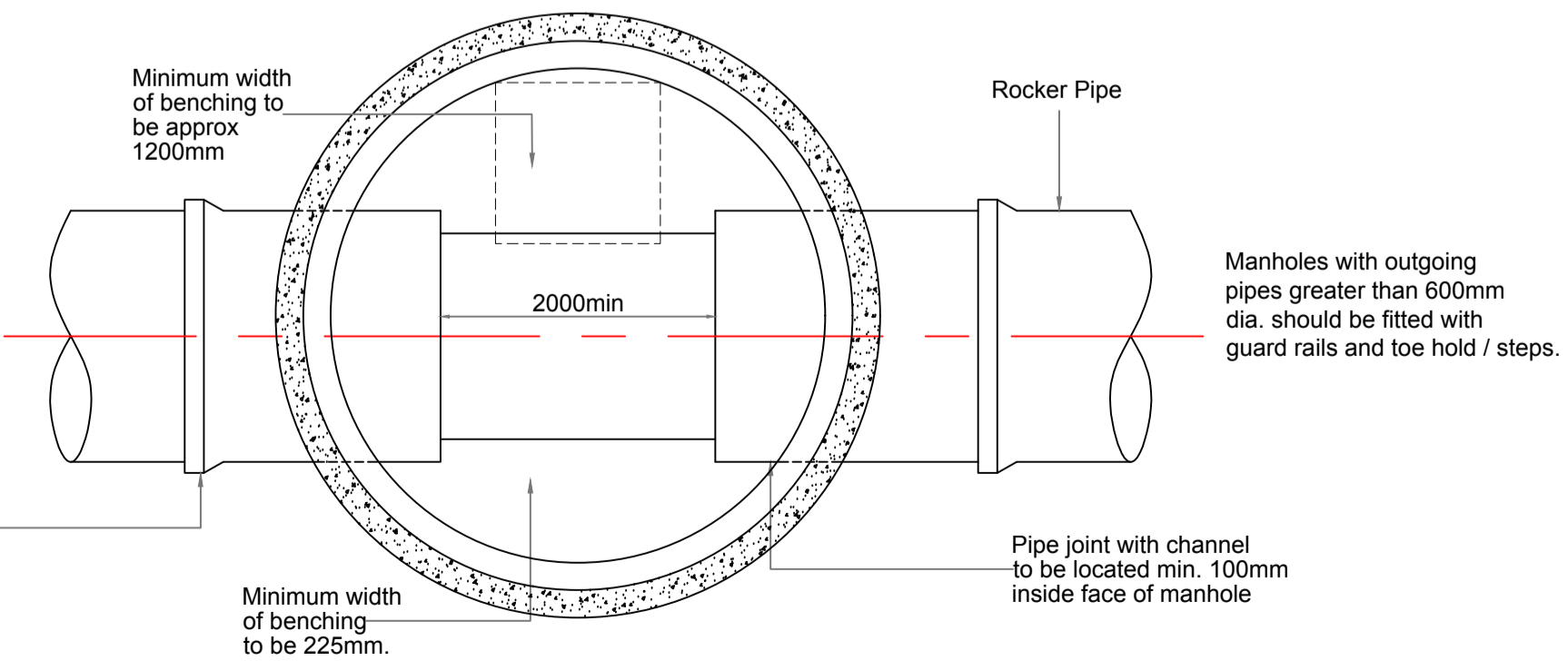
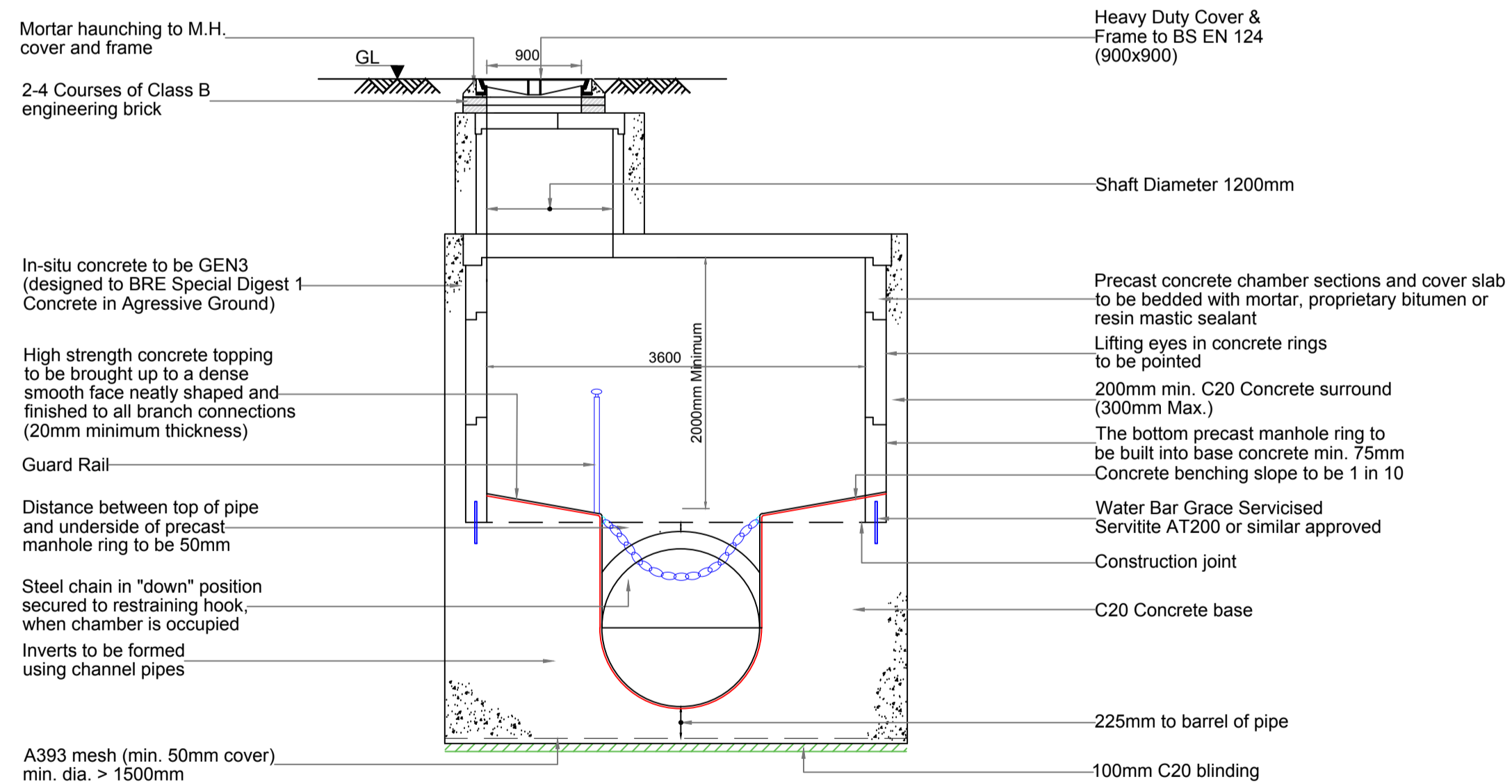
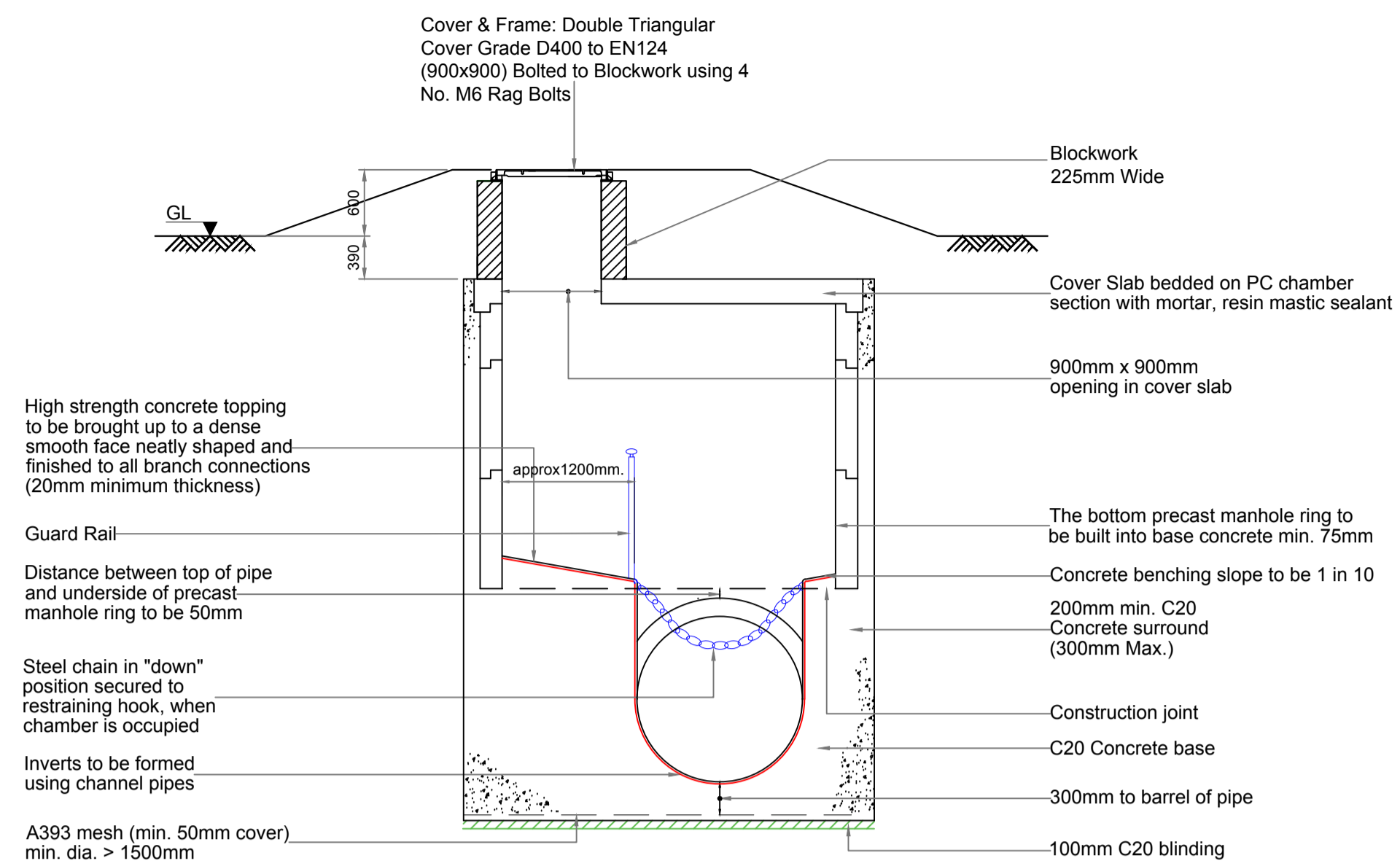


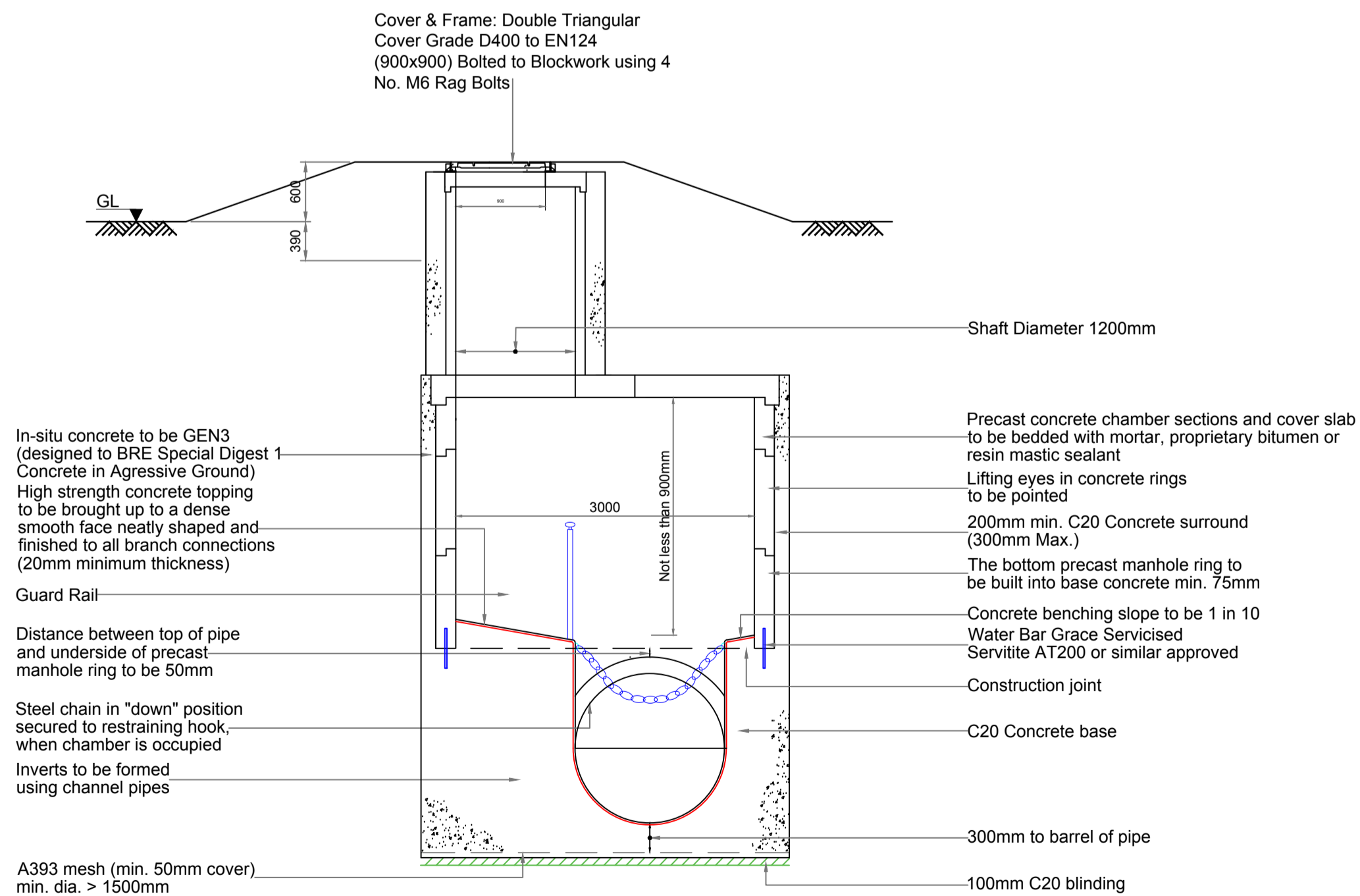
TYPICAL PRECAST MANHOLE DETAIL - TYPE A
Maximum Depth from cover level to soffit of pipe 3.0m



TYPICAL PRECAST MANHOLE DETAIL - TYPE B
Depth from cover level to soffit of pipe 3.0m to 6.0m



TYPICAL PRECAST MANHOLE DETAIL - TYPE A (IN FIELDS)
Maximum Depth from cover level to soffit of pipe 3.0m



TYPICAL PRECAST MANHOLE DETAIL - TYPE B (IN FIELDS)
Depth from cover level to soffit of pipe 3.0m to 6.0m

NOTES:

- FIGURED DIMENSIONS ONLY TO BE TAKEN FROM THIS DRAWING.
- ALL DRAWINGS TO BE CHECKED BY THE CONTRACTOR ON SITE
- ENGINEER/EMPLOYERS REPRESENTATIVE, AS APPROPRIATE, TO BE INFORMED BY THE CONTRACTOR OF ANY DISCREPANCIES BEFORE ANY WORK COMMENCES
- THE CONTRACTOR SHALL UNDERTAKE A THOROUGH CHECK FOR THE ACTUAL LOCATION OF ALL SERVICES/UTILITIES, ABOVE AND BELOW GROUND, BEFORE ANY WORK COMMENCES
- ALL LEVELS SHOWN RELATE TO ORDNANCE SURVEY DATUM AT MALIN HEAD

Rev	Date	Description	By	Chkd.
P01	08.06.18	ISSUE FOR PLANNING	AOC	BD



Title:
TYPICAL DETAILS GRAVITY PIPELINES
1 of 2

Scale @ A1: **1:50**
Prepared by: **A. O'Callaghan** Checked: **B. Downes** Date: **June 2018**
Project Director: **C. O'Keefe**
Drawing Status: **Planning**



Revision:
Drawing No.: **32102902-2200** **P01**